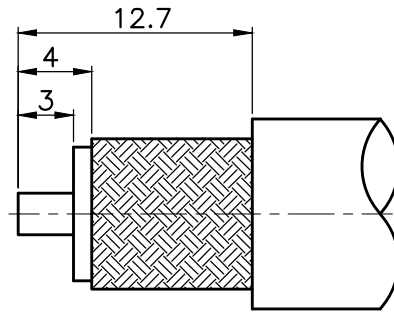
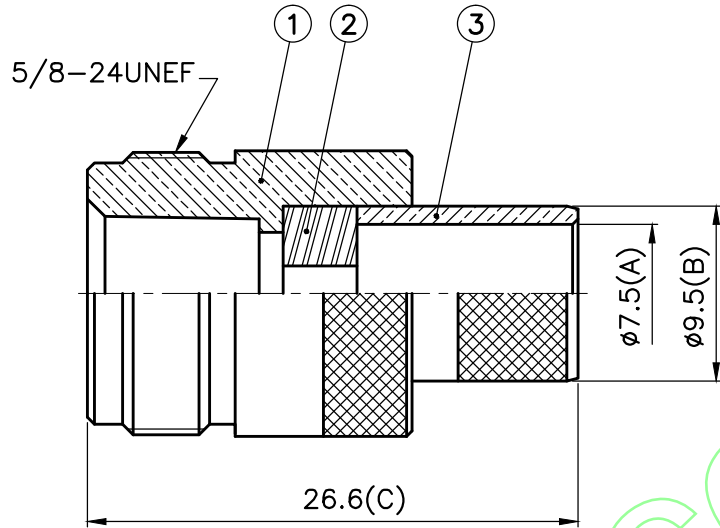


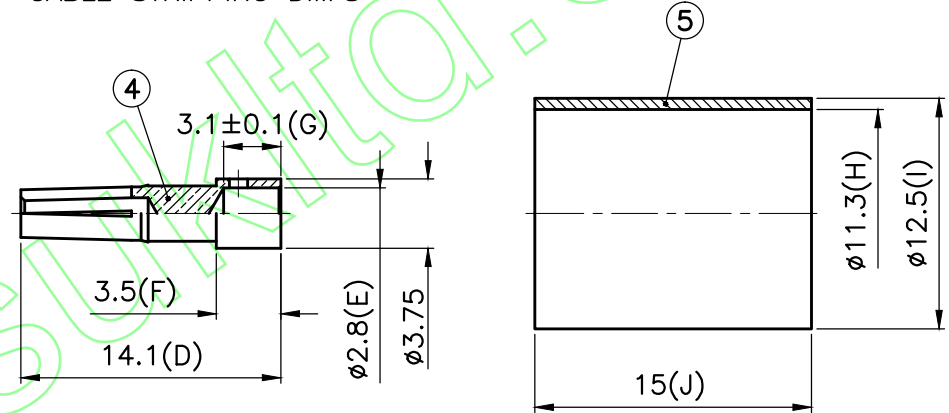
| REVISIONS | |
|-----------|--------------------|
| ISS | DESCRIPTION \ DATE |
| | |



RoHS COMPLIANT



RECOMMENDED
CABLE STRIPPING DIM'S



1. CRIMPED FERRULE
HEX CRIMP SIZE .429"
2. CRIMPED CONTACT PIN
HEX CRIMP SIZE .128"

CONNECTORS CABLES



SPECIALISTS LTD.

TITLE: N FEMALE CRIMP
(FOR LMR-400)

PART NO: NJCR519

029

DATE: 07/09/19"

UNIT: mm

DRAWING NO:

SCALE: 2.5/1

APRD:

CHKD:

DR:

UNLESS OTHERWISE
SPECIFIED TOLERANCES
0.5-6 = ±0.2
>6-30 = ±0.4
>30-120 = ±0.6
>120-315 = ±1
>315-1000 = ±1.6
ANGLES = ±5°

| NO. | DESCRIPTION | MATERIAL | FINISH |
|-----|--------------|----------|--------|
| 5 | FERRULE | BRASS | NICKEL |
| 4 | CONTACT PIN | BRASS | GOLD |
| 3 | BRAID HOLDER | BRASS | NICKEL |
| 2 | INSULATOR | TEFLON | WHITE |
| 1 | BODY | BRASS | NICKEL |